

1-post parking lift TW127P-G

Concrete requirements:

- Concrete C20/25 according to DIN 1045-2.
- The floor must be level and have a flatness of less than 5 mm/m.
- New concrete must cure for 28 days.
- The surrounding soil must be suitable for the load, e.g. no sandy soils etc.
- Reinforcement of the concrete is not necessary for proper use.
- In case of doubt, the foundation should always be determined/checked by a structural engineer (especially for structures with a basement underneath them).

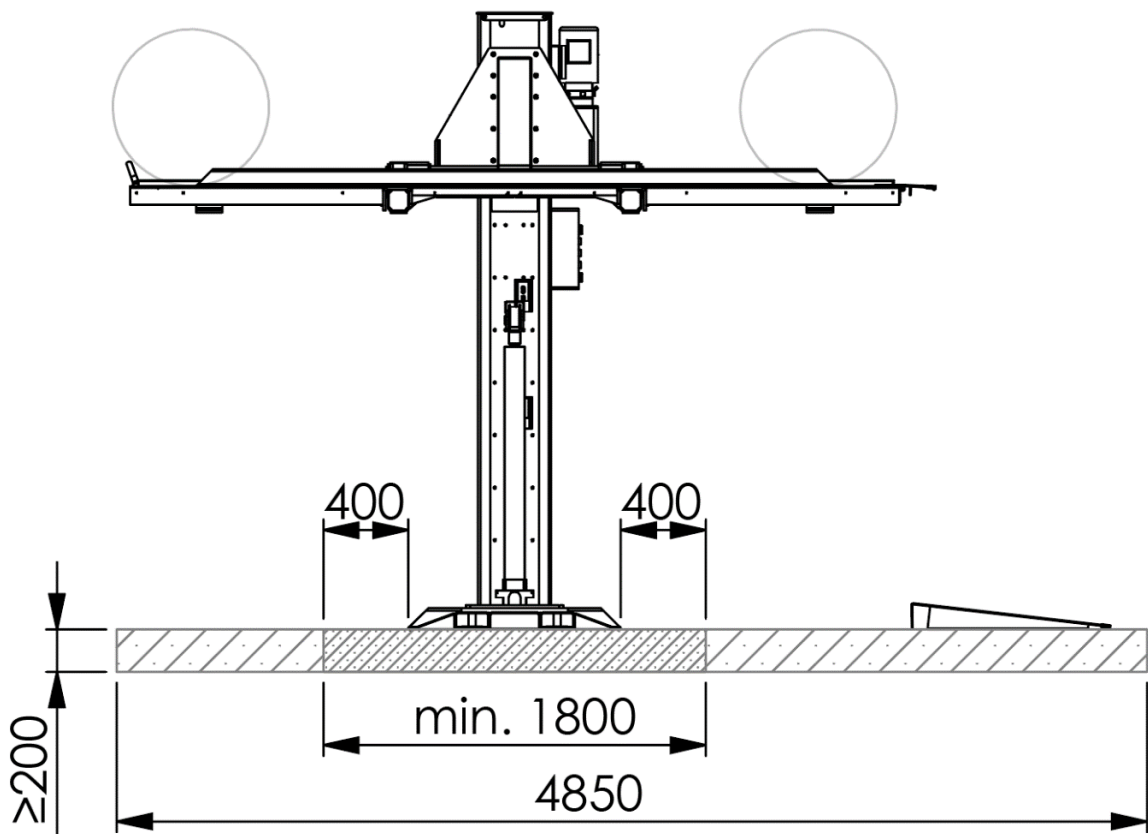
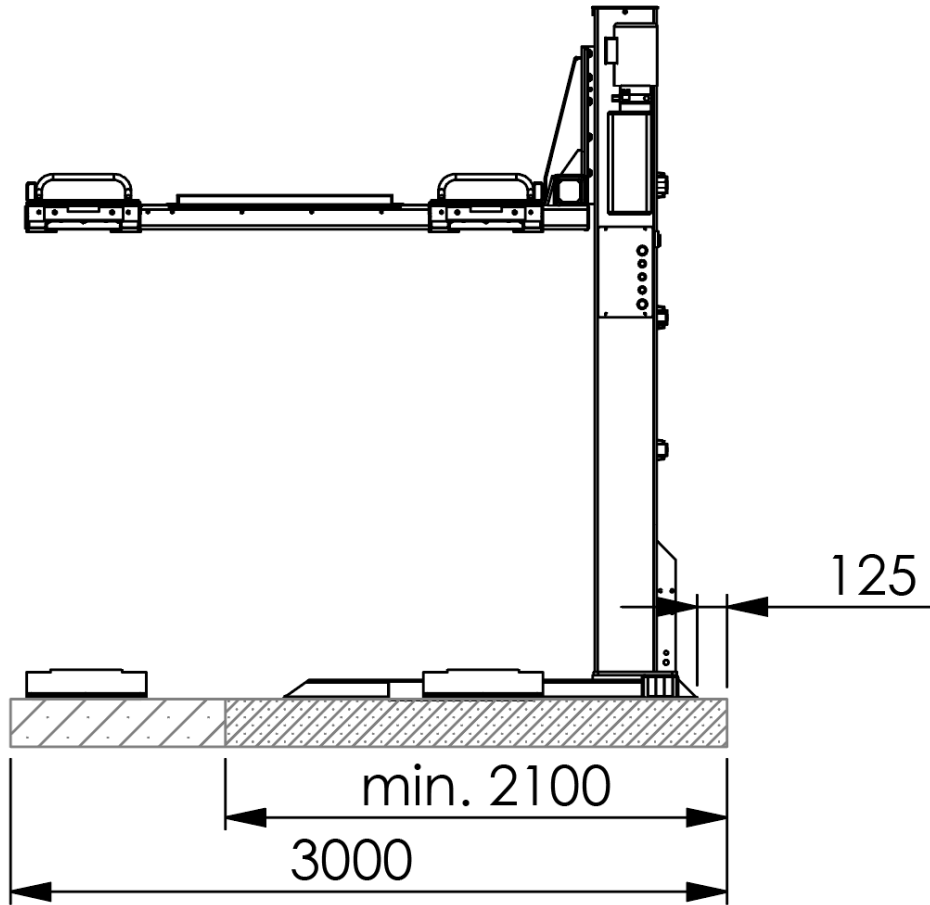
Please note that there must be solid and sufficiently firm ground around the foundation block, especially for the "minimal design".

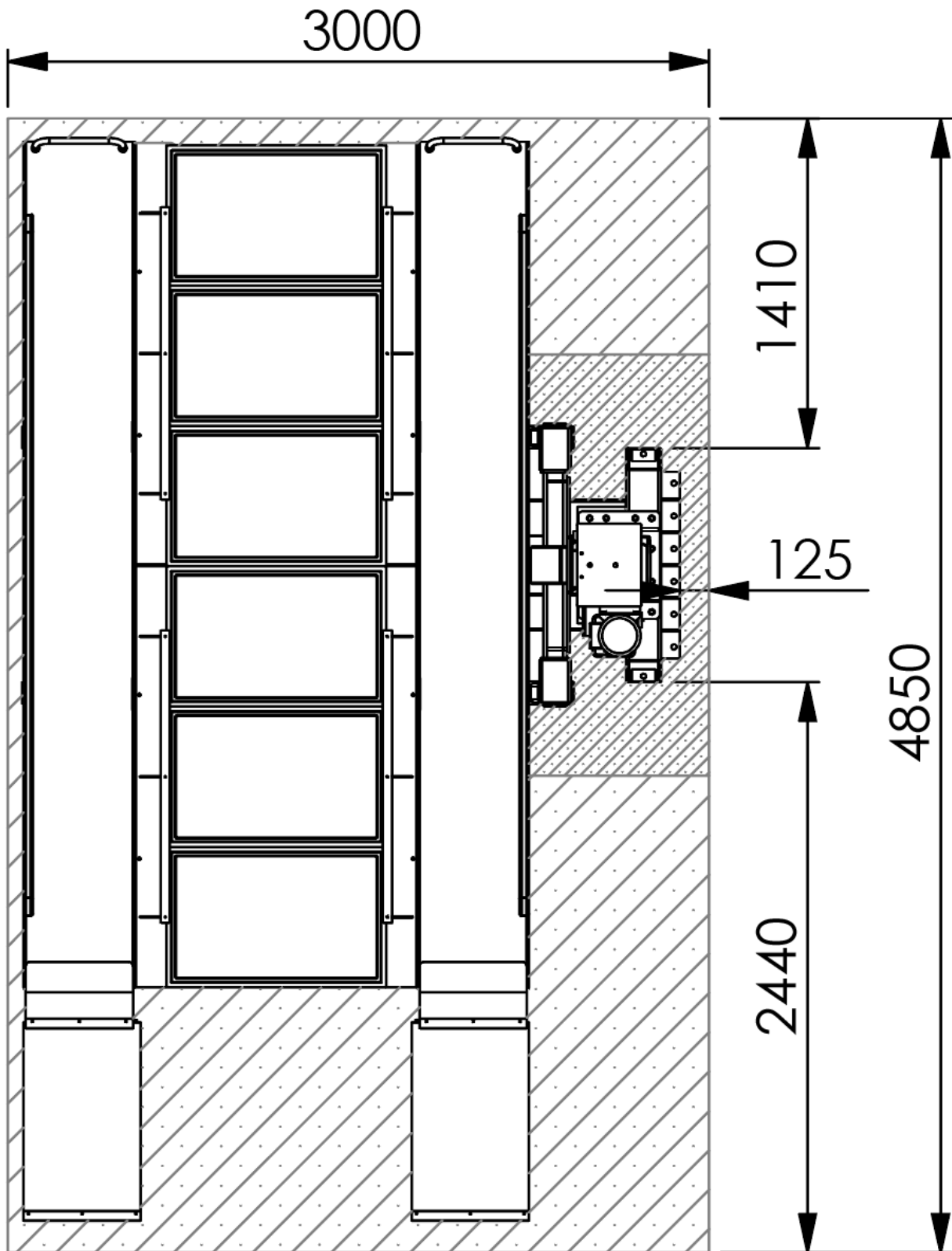
Foundation dimensions:

- Ideally, the entire hall floor should be made of C20/25 concrete with a thickness of at least 200 mm.

Other requirements:

- The surrounding ground must be suitable for the load, e.g. no sandy soil, etc.
- Reinforcement in the concrete is not mandatory for the proper use of the lifting platform, but is recommended.
- The lifting platform must NOT be installed on ceilings or floors with basements without authorisation. In case of doubt, the foundation should always be designed by a structural engineer; this is mandatory for ceilings or floors with basements.
- If tiles, screed, insulation and underfloor heating are used, please consult our technical department.





The following must be observed for soil exposed to frost:

For frost exposure, the concrete must correspond to exposure class XF4, as dripping de-icing agent cannot be ruled out.

This results in the following minimum requirements for concrete exposed to frost:

Exposure class:	XF4
Maximum w/c:	0.45
Minimum compressive strength:	C30/37 (instead of C20/25)
Minimum cement content:	340 kg/m ³
Minimum air void content:	4.0 %
Total foundation depth:	≥ 80 cm (due to frost resistance)
Remainder filled with gravel:	0/32

It must be noted, however, that the lifts are not designed for outdoor use (except for galvanised models). The control box is IP54, but the rest of the electrics, motors and limit switches are IP44 at most.

Anchor bolt fastening

