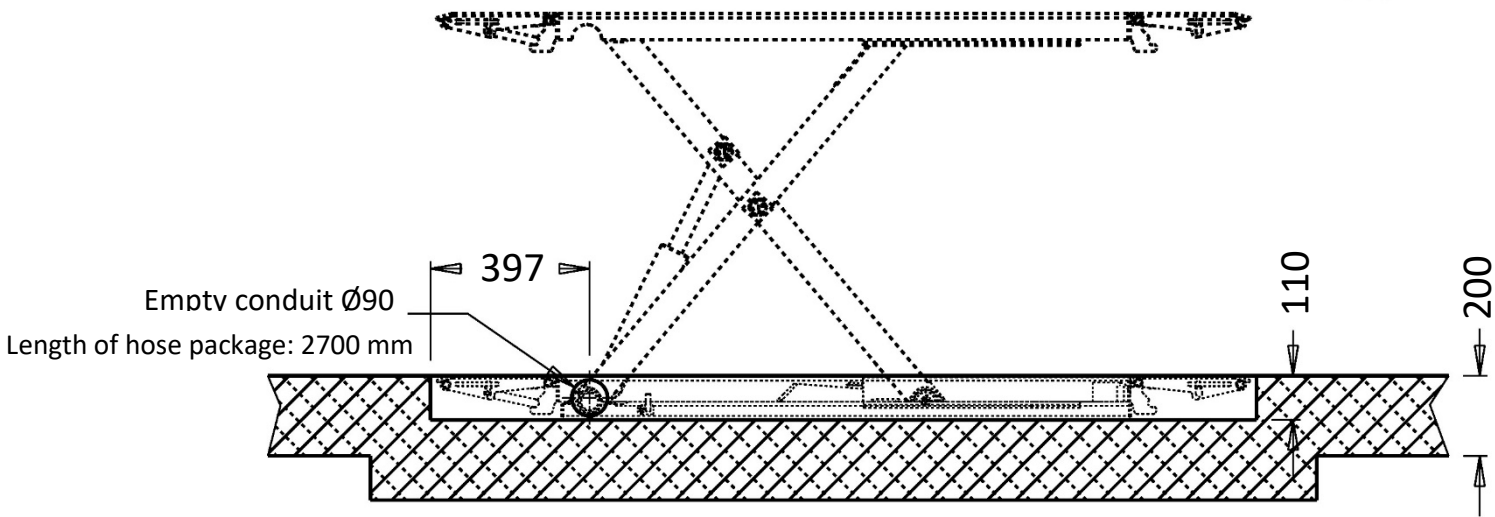


Foot protection bars removed  
Handles on ramps cut



Misprints, errors and changes excepted. Version: 07.11.2025

Foundation plan  
Scissor lift TWS35-10E  
Recessed installation

Page 1 of 2

TWIN BUSCH® UK LTD  
Kettering | Northants NN16 8PS  
+44 (0) 1536 522 960

### Requirements for the concrete:

- Concrete C20/25 according to DIN 1045-2 (previous designation: DIN 1045 concrete B25).
- The floor must be level and have a flatness of less than 5 mm/m.
- Newly poured concrete must cure for at least 28 days.

### Foundation dimensions:

- Ideally, the entire hall floor should be made of C20/25 concrete with a thickness of at least 200 mm.
- In all lifting positions, there must be a distance of at least 0.8 metres between the lifting platform and the fixed elements (e.g. the wall).

### Other requirements:

- The surrounding ground must be suitable for the load, e.g. no sandy soil, etc.
- Reinforcement in the concrete is not mandatory for the proper use of the scissor lift, but is recommended.
- The scissor lift must NOT be installed on ceilings or floors with basements without authorisation. If in doubt, the foundation should always be designed by a structural engineer; this is essential for ceilings or floors with basements.
- If tiles, screed, insulation and underfloor heating are used, please consult our technical department.
- If the foundation for the recessed installation is to be created retrospectively, connection reinforcements must be provided.

### The following must be observed for soil exposed to frost:

In the case of frost exposure, the concrete must correspond to exposure class XF4, as dripping de-icing agent cannot be ruled out.

This results in the following minimum requirements for concrete under frost stress:

|                               |                                   |
|-------------------------------|-----------------------------------|
| Exposure class:               | XF4                               |
| Maximum w/c:                  | 0,45                              |
| Minimum compressive strength: | C30/37 (instead of C20/25)        |
| Minimum cement content:       | 340 kg/m <sup>3</sup>             |
| Minimum air void content:     | 4.0 %                             |
| Total foundation depth:       | ≥ 80 cm (due to frost resistance) |
| Remainder filled with gravel: | 0/32                              |

However, it must be noted that the lifts are not designed for outdoor use (except for galvanised models). Although the control box complies with IP54, the rest of the electrics, motors and limit switches have a maximum IP44 rating.

Misprints, errors and changes excepted. Version: 07.11.2025

Foundation plan  
Scissor lift TWS35-10E  
Recessed installation

*Page 2 of 2*

TWIN BUSCH® UK LTD  
Kettering | Northants NN16 8PS  
+44 (0) 1536 522 960