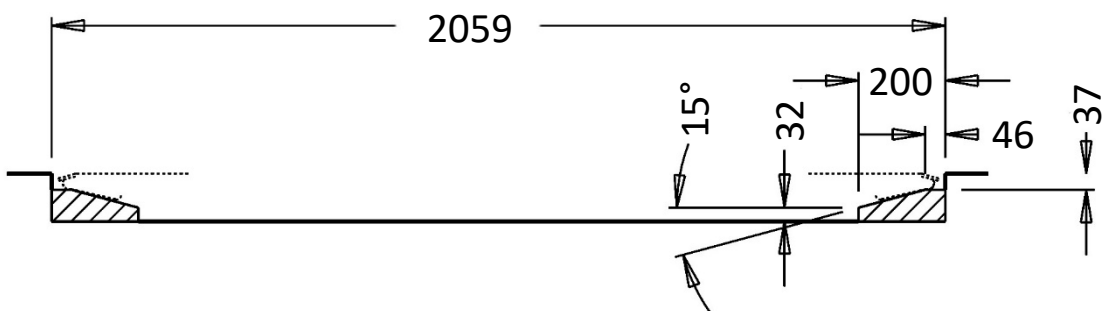
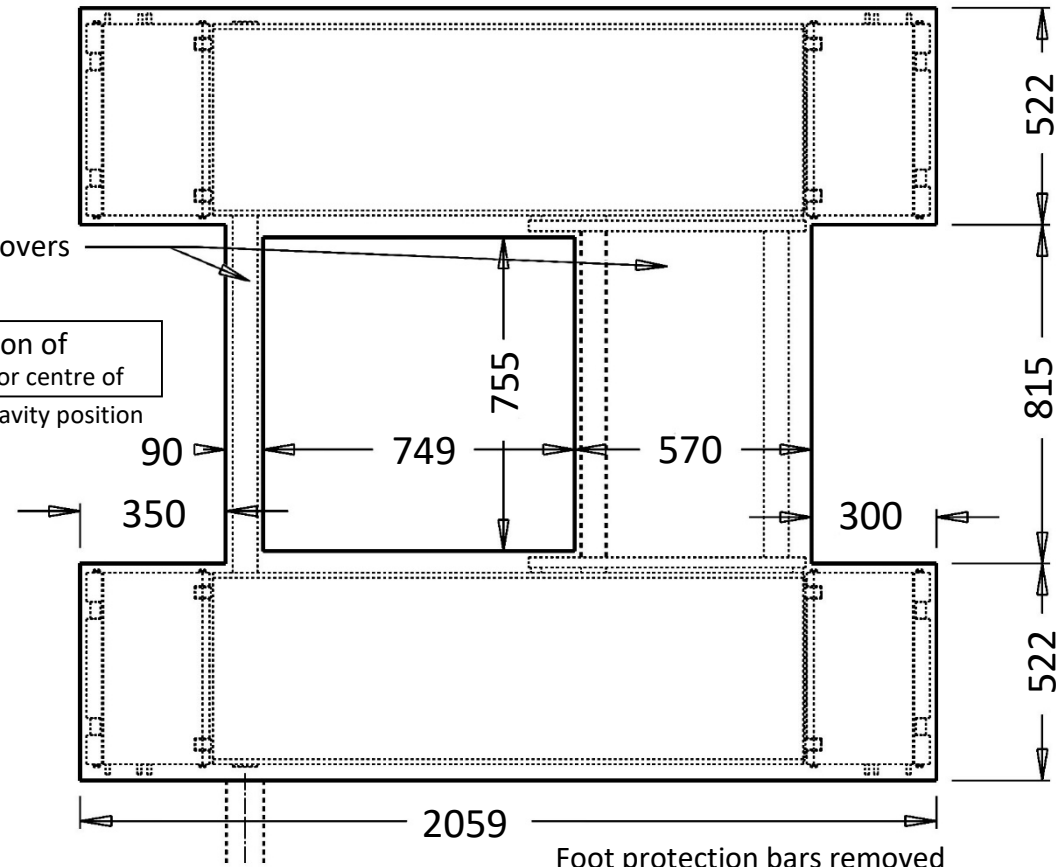
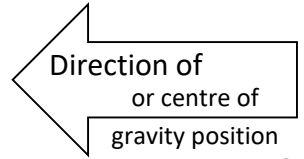


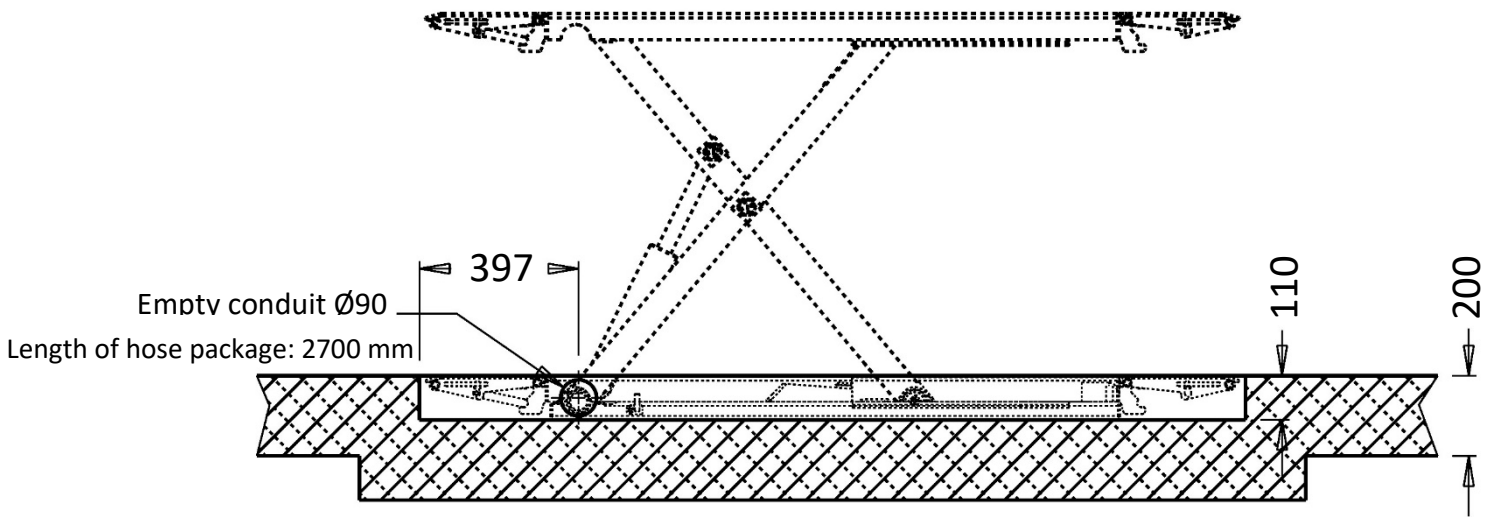
Optional supports for the ramps
when lowered



Provide suitable covers



Foot protection bars removed
Handles on ramps cut off.



Misprints, errors and changes excepted. Version: 07.11.2025

Foundation plan
Scissor lift TWS3-10E / TWS3-10E-G
/ TWS3-10E-FZ
Recessed installation

Page 1 of 2

TWIN BUSCH® UK LTD
Kettering | Northants NN16 8PS
+44 (0) 1536 522 960

Requirements for the concrete:

- Concrete C20/25 according to DIN 1045-2 (previous designation: DIN 1045 concrete B25).
- The floor must be level and have a flatness of less than 5 mm/m.
- Newly poured concrete must cure for at least 28 days.

Foundation dimensions:

- Ideally, the entire hall floor should be made of C20/25 concrete with a thickness of at least 200 mm.
- In all lifting positions, there must be a distance of at least 0.8 metres between the lifting platform and the fixed elements (e.g. the wall).

Other requirements:

- The surrounding ground must be suitable for the load, e.g. no sandy soil, etc.
- Reinforcement in the concrete is not mandatory for the proper use of the scissor lift, but is recommended.
- The scissor lift must NOT be installed on ceilings or floors with basements without authorisation. If in doubt, the foundation should always be designed by a structural engineer; this is essential for ceilings or floors with basements.
- If tiles, screed, insulation and underfloor heating are used, please consult our technical department.
- If the foundation for the recessed installation is to be created retrospectively, connection reinforcements must be provided.

The following must be observed for soil exposed to frost:

In the case of frost exposure, the concrete must correspond to exposure class XF4, as dripping de-icing agent cannot be ruled out. This results in the following minimum requirements for concrete under frost stress:

Exposure class:	XF4
Maximum w/c:	0,45
Minimum compressive strength:	C30/37 (instead of C20/25)
Minimum cement content:	340 kg/m ³
Minimum air void content:	4.0 %
Total foundation depth:	≥ 80 cm (due to frost resistance)
Remainder filled with gravel:	0/32

It must be noted, however, that the lifts are not designed for outdoor use (except for galvanised models).

The control box is IP54, but the rest of the electrics, motors and limit switches are IP44 at most.