

## 4-Post-Lifts

### Requirements for the concrete floor:

- Concrete C20/25 according to DIN 1045-2 (previous designation: DIN 1045 concrete B25).
- The floor must be horizontal and have a flatness of less than 10 mm over the entire length of the foundation.
- Newly poured concrete must cure for at least 28 days.

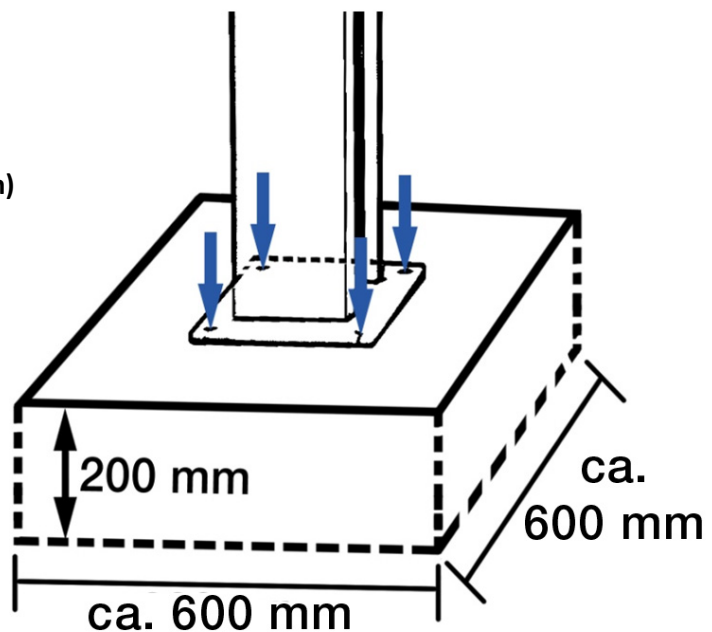
### Foundation dimensions:

- Ideally, it's better to cover the whole area in concrete C20/25, 200 mm thick.

### Minimum Requirements:

For separate foundations

ca. 600 x ca. 600 x 200 mm (2ft x 2ft x 8,0in)



The base plate must be at **least 320 mm larger** in length and width than the post lift above the base plates.

### Other requirements:

- The surrounding ground must be suitable for the load, e.g. no sandy soil, etc.
- Reinforcement in the concrete is not mandatory for the proper use of the lifting platform, but is recommended.
- The lifting platform must **NOT** be installed on ceilings or floors with basements without authorisation. In case of doubt, the foundation should always be designed by a structural engineer; this is mandatory for ceilings or floors with basements.
- If tiles, screed, insulation and underfloor heating are used, please consult our technical department.

### For soil exposed to frost, note the following:

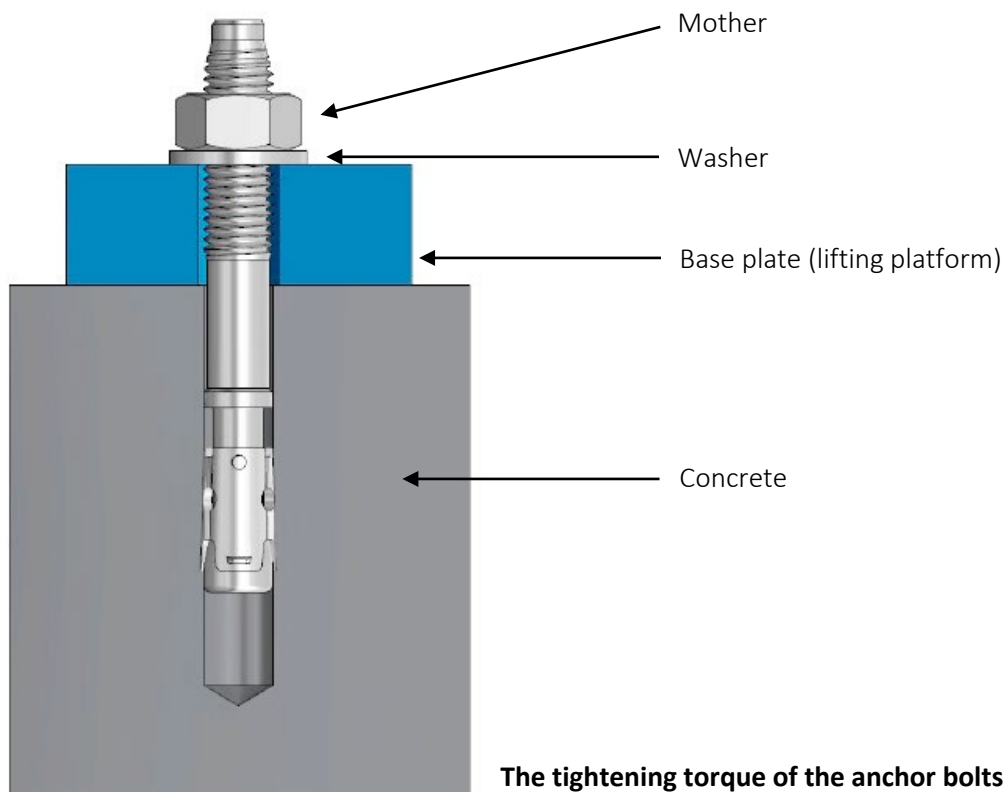
For frost exposure, the concrete must comply with exposure class XF4, as dripping de-icing agent cannot be ruled out.

This results in the following minimum requirements for the concrete when exposed to frost:

Exposure class:	XF4
Maximum w/c:	0,45
Minimum compressive strength:	C30/37 (instead of C20/25)
Minimum cement content:	340 kg/m <sup>3</sup>
Minimum air void content:	4.0 %
Total foundation depth:	≥ 80 cm (due to frost resistance)
Remainder filled with gravel:	0/32

It must be noted, however, that the lifts are not designed for outdoor use (except for galvanised models). The control box is IP54, but the rest of the electrics, motors and limit switches are IP44 at most.

### Anchor bolt fastening



**The tightening torque of the anchor bolts is: 120 Nm.**